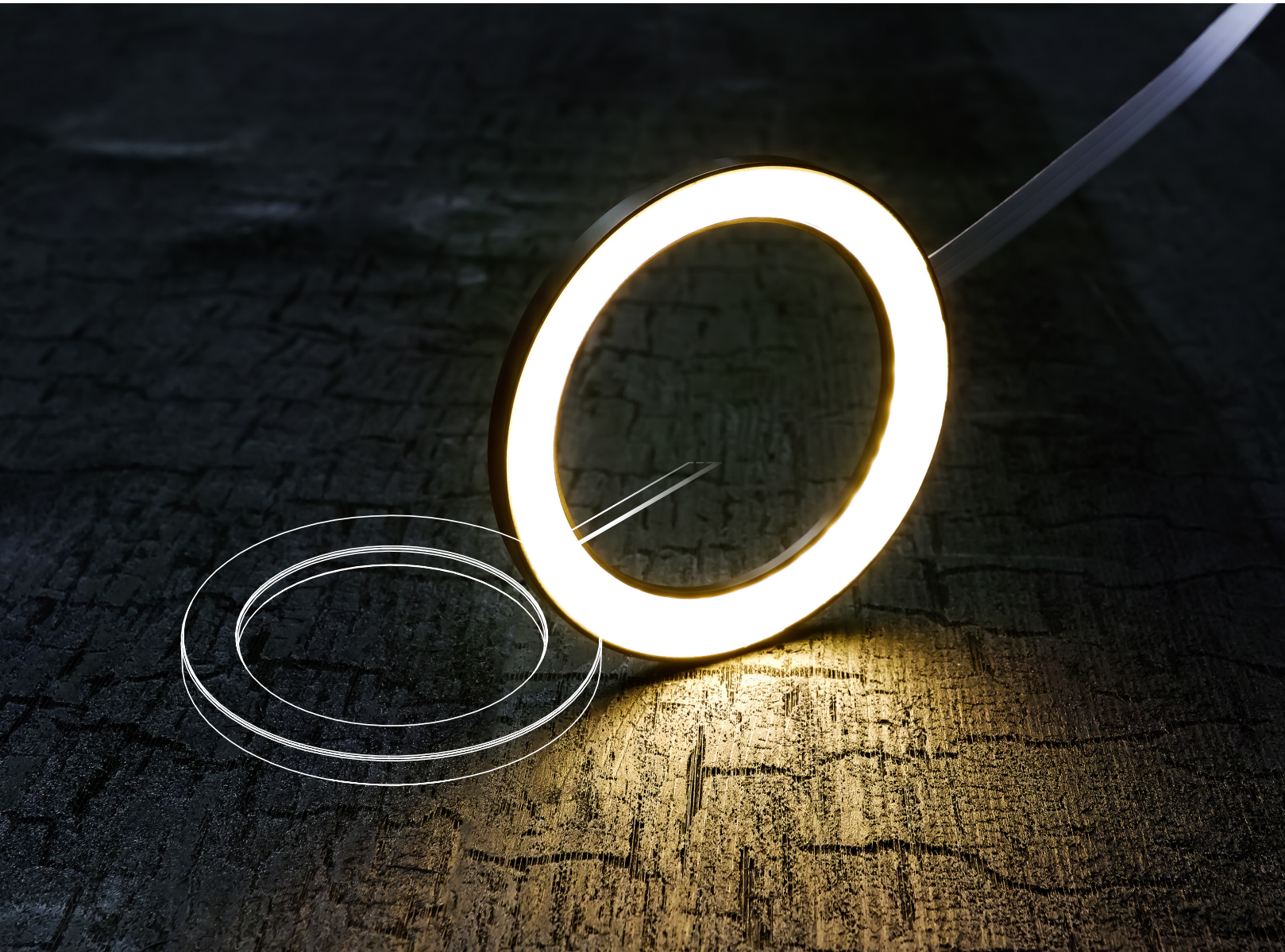


LED LIGHTING SOLUTIONS



CONTENT

LINEAR LUMINAIRES	LD 8104	4-5
	LD 8104-SL	6-7
	LD 8104A	8-9
	LD 8112	10-11
	LD 8122	12-13
	Mini Neon Light	14-15
SPOTLIGHTS	LD 8120-55	16-17
	LD 8211-F58.3/X2	18-19
	LD 8228	20-21
POWER CONDUCTOR SYSTEM	Vario D10	22-25
CONSTANT VOLTAGE DRIVER	24V	26
CONTROL UNITS	Remote Controls	27
	Receiver	27

Attention please:

The dimensions of the technical drawings are given in millimeters.

LD 8104

Linear recessed luminaire with black aluminum profile. A luminaire for many areas of application and with a discreet, elegant design.

The profile width is only ¼" (6.5mm), the lengths are adapted to the standard cabinet widths.

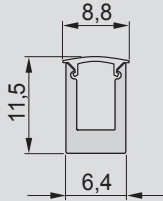
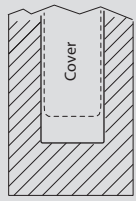
Choose between overlapping black or opal white cover.

Operating voltage	24V
Installation diameter	See table
Housing	Aluminum
Diffusor	Black or opal white
Nominal power	See table
LED Type	SMD Stripe ⅛" (4mm)
Light colors	3000K, 4000K
CRI	RA >90
Dimmable	Yes (with tuning receiver)
Supply lead	Black with ESP plug white
Installation	Push-fit installation
Protection type	IP20
Protection class	III

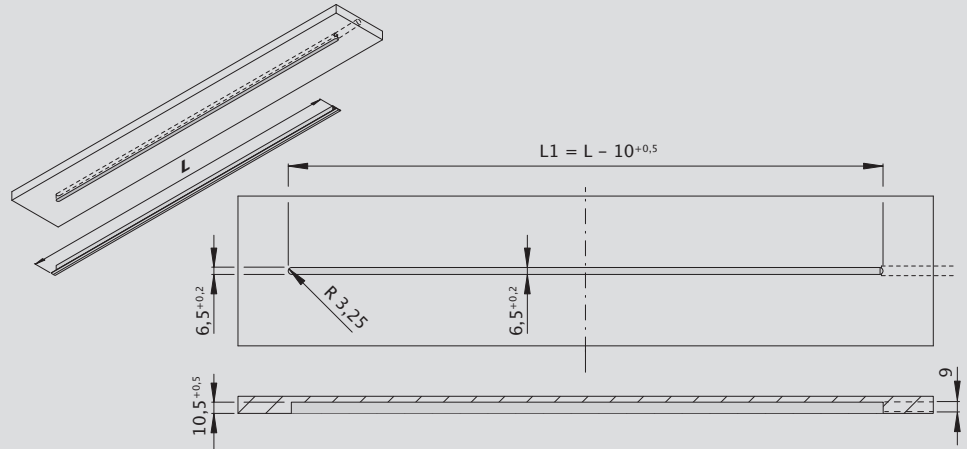


Technical information

Overlapping cover
(e.g. for cut-out in chipboard)



Dimensions of milling out

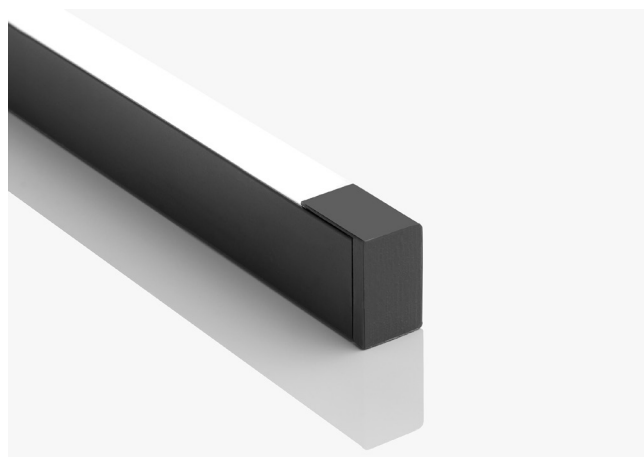
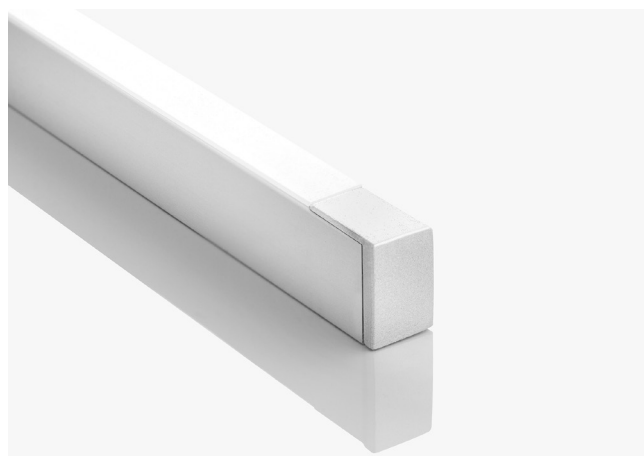


Item No.	Voltage	Light Color	Length	Nominal Power	Cable length
Black profile - Black cover					
600 000 60	24V	3000K	3 ¾" (95 mm)	1.0W	5 ⅞" (150 mm)
600 000 61	24V	3000K	4 ¾" (120 mm)	1.5W	6 ⅞" (175 mm)
600 000 62	24V	3000K	9 ⅝" (245 mm)	3.9W	11 ¾" (300 mm)
600 000 63	24V	3000K	15 ½" (395 mm)	6.8W	17 ⅞" (455 mm)
600 000 64	24V	3000K	21 ½" (545 mm)	9.6W	23 ⅞" (605 mm)
600 000 65	24V	3000K	27 ⅜" (695 mm)	12.5W	29 ¾" (755 mm)
600 000 66	24V	3000K	31 ¼" (795 mm)	14.4W	33 ⅝" (855 mm)
600 000 67	24V	3000K	37 ½" (945 mm)	17.3W	39 ⅜" (1000 mm)
600 000 68	24V	3000K	43 ⅞" (1095 mm)	20.2W	45 ¼" (1155 mm)
600 000 69	24V	3000K	49" (1245 mm)	23W	51 ⅜" (1305 mm)
600 000 70	24V	4000K	3 ¾" (95 mm)	1.0W	5 ⅞" (150 mm)
600 000 71	24V	4000K	4 ¾" (120 mm)	1.5W	6 ⅞" (175 mm)
600 000 72	24V	4000K	9 ⅝" (245 mm)	3.9W	11 ¾" (300 mm)
600 000 73	24V	4000K	15 ½" (395 mm)	6.8W	17 ⅞" (455 mm)
600 000 74	24V	4000K	21 ½" (545 mm)	9.6W	23 ⅞" (605 mm)
600 000 75	24V	4000K	27 ⅜" (695 mm)	12.5W	29 ¾" (755 mm)
600 000 76	24V	4000K	31 ¼" (795 mm)	14.4W	33 ⅝" (855 mm)
600 000 77	24V	4000K	37 ½" (945 mm)	17.3W	39 ⅜" (1000 mm)
600 000 78	24V	4000K	43 ⅞" (1095 mm)	20.2W	45 ¼" (1155 mm)
600 000 79	24V	4000K	49" (1245 mm)	23W	51 ⅜" (1305 mm)
Black profile - Opal cover					
600 001 69	24V	3000K	3 ¾" (95 mm)	1.0W	5 ⅞" (150 mm)
600 001 70	24V	3000K	4 ¾" (120 mm)	1.5W	6 ⅞" (175 mm)
600 001 71	24V	3000K	9 ⅝" (245 mm)	3.9W	11 ¾" (300 mm)
600 001 72	24V	3000K	15 ½" (395 mm)	6.8W	17 ⅞" (455 mm)
600 001 73	24V	3000K	21 ½" (545 mm)	9.6W	23 ⅞" (605 mm)
600 001 74	24V	3000K	27 ⅜" (695 mm)	12.5W	29 ¾" (755 mm)
600 001 75	24V	4000K	3 ¾" (95 mm)	1.5W	5 ⅞" (150 mm)
600 001 76	24V	4000K	4 ¾" (120 mm)	3.9W	6 ⅞" (175 mm)
600 001 77	24V	4000K	9 ⅝" (245 mm)	6.8W	11 ¾" (300 mm)
600 001 78	24V	4000K	15 ½" (395 mm)	9.6W	17 ⅞" (455 mm)
600 001 79	24V	4000K	21 ½" (545 mm)	12.5W	23 ⅞" (605 mm)
600 001 80	24V	4000K	27 ⅜" (695 mm)	12.5W	29 ¾" (755 mm)

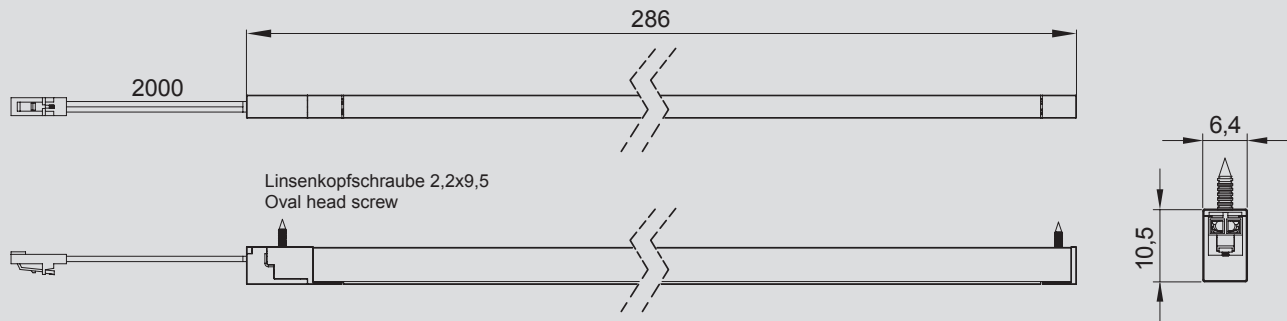
LD 8104-SL

Under-cabinet light with a length of 11 ¼" (286 mm), the width is only ¼" (6.5mm) as the luminaire before. Aluminum profile and cover in three versions. With two matching end caps per luminaire. Supply lead black with ESP plug white. Small, slim and bright, an ideal luminaire for retro-fitting.

Operating voltage	24V
Housing	Aluminum
Diffusor	Black or opal white
Nominal power	See table
LED Type	SMD Stripe ⅛" (4mm)
Light colors	3000K, 4000K
CRI	RA >90
Dimmable	Yes (with tuning receiver)
Supply lead	78 ¾"
Installation	Screw fixing
Protection type	IP20
Protection class	III



Technical information



Item No.	Voltage	Finish	Cover	Light Color	Nominal Power
Single lights					
600 000 41	24V	Aluminum	Opal white	3000K	4.8W
600 000 44	24V	Aluminum	Opal white	4000K	4.8W
600 000 47	24V	Black	Opal white	3000K	4.8W
600 000 53	24V	Black	Opal white	4000K	4.8W
600 000 50	24V	Black	Black	3000K	4.8W
600 000 56	24V	Black	Black	4000K	4.8W
Sets of 3 lights					
600 000 42	24V	Aluminum	Opal white	3000K	3 x 4.8W
600 000 45	24V	Aluminum	Opal white	4000K	3 x 4.8W
600 000 48	24V	Black	Opal white	3000K	3 x 4.8W
600 000 54	24V	Black	Opal white	4000K	3 x 4.8W
600 000 51	24V	Black	Black	3000K	3 x 4.8W
600 000 57	24V	Black	Black	4000K	3 x 4.8W
Sets of 5 lights					
600 000 43	24V	Aluminum	Opal white	3000K	5 x 4.8W
600 000 46	24V	Aluminum	Opal white	4000K	5 x 4.8W
600 000 49	24V	Black	Opal white	3000K	5 x 4.8W
600 000 55	24V	Black	Opal white	4000K	5 x 4.8W
600 000 52	24V	Black	Black	3000K	5 x 4.8W
600 000 58	24V	Black	Black	4000K	5 x 4.8W

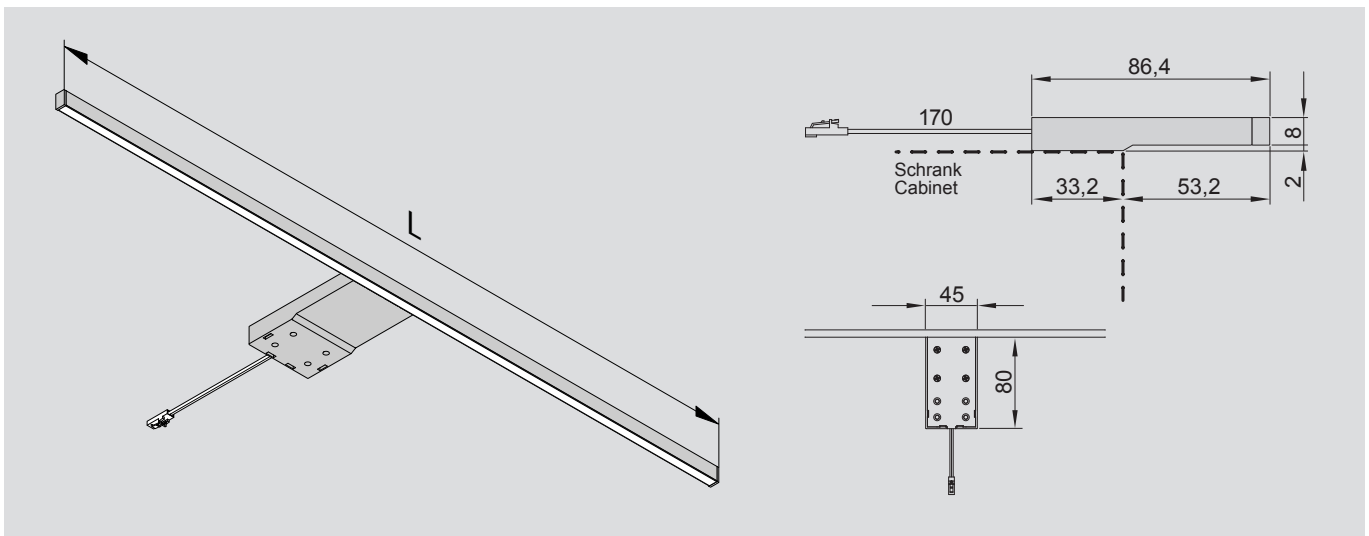
LD 8104 A

Stylish and elegant black mirror light with a minimalist design. An upgrade for any bathroom with high luminosity and a trendy look. Available in three lengths. Supply lead black with ESP plug white.

Operating voltage	24V
Housing	Aluminum black finish
Diffusor	Black
Nominal power	See table
LED Type	SMD Stripe 1/8" (4mm)
Light color	4000K
CRI	RA >90
Dimmable	Yes (with tuning receiver)
Supply lead	78 3/4"
Installation	Screw fixing
Protection type	IP44
Protection class	III



Technical information

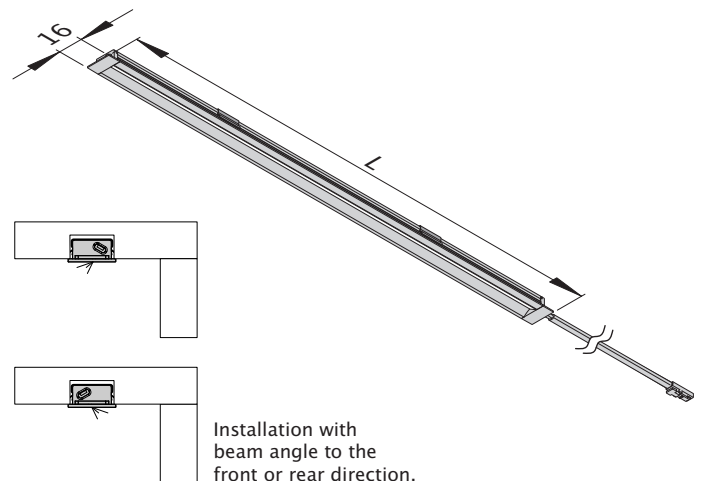
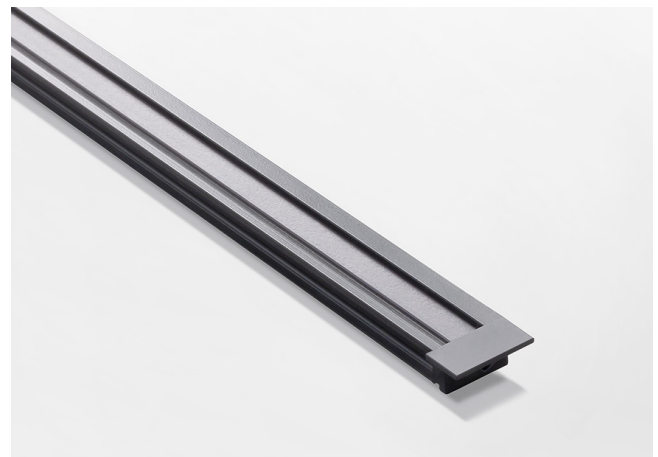


Item No.	Voltage	Nominal Power	Length	Cable length
600 000 98	24V	5.3W	11 ¾" (300 mm)	78 ¾" (2000 mm)
600 000 99	24V	9.2W	19 ⅝" (500 mm)	78 ¾" (2000 mm)
600 001 00	24V	13.0W	27 ¼" (700 mm)	78 ¾" (2000 mm)

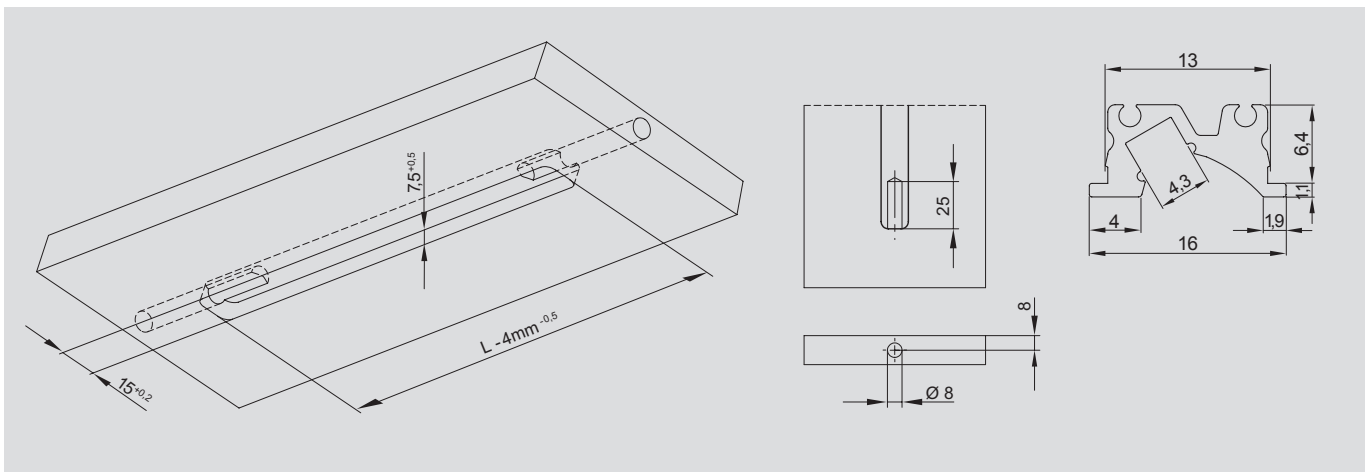
LD 8112

Linear luminaire with recessed, oblique beam angle, light glare is therefore avoided.
Available in different lengths. Supply lead black with ESP plug white. Clamp fixing with clip holder.

Operating voltage	24V
Housing	Aluminum
Diffusor	Black or opal white
Nominal power	See table
LED Type	SMD Stripe 1/8" (4mm)
Light color	3000K, 4000K
CRI	RA >90
Dimmable	Yes (with tuning receiver)
Supply lead	See table
Installation	Push-fit installation
Protection type	IP20
Protection class	III



Technical information

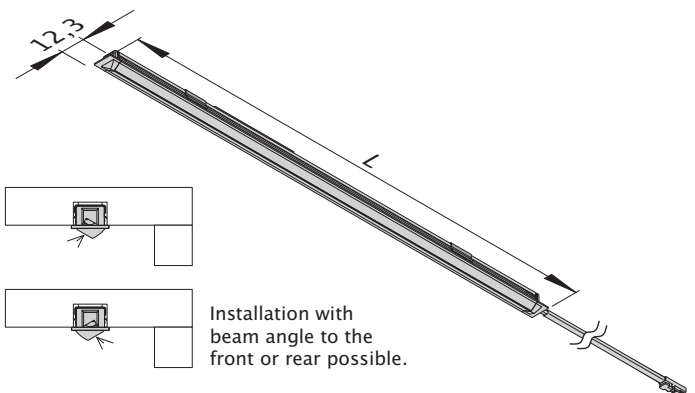
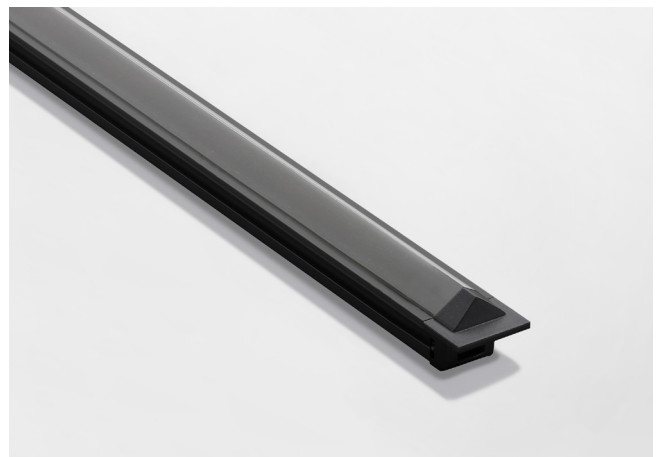


Item No.	Voltage	Light color	Nominal Power	Length	Cable length
Profile aluminum finish, cover opal white					
600 001 15	24V	3000K	1.0W	3 ¾" (95 mm)	5 ⅞" (150 mm)
600 001 16	24V	3000K	2.0W	4 ¾" (120 mm)	7 ⅞" (200 mm)
600 001 17	24V	3000K	3.9W	9 ⅞" (245 mm)	9 ⅞" (250 mm)
600 001 18	24V	3000K	6.8W	15 ½" (395 mm)	9 ⅞" (250 mm)
600 001 19	24V	3000K	9.6W	21 ½" (545 mm)	9 ⅞" (250 mm)
600 001 20	24V	3000K	12.5W	27 ⅞" (695 mm)	9 ⅞" (250 mm)
600 001 21	24V	3000K	14.4W	31 ¼" (795 mm)	9 ⅞" (250 mm)
600 001 22	24V	3000K	17.3W	37 ½" (945 mm)	9 ⅞" (250 mm)
600 001 23	24V	3000K	20.2W	43 ⅞" (1095 mm)	9 ⅞" (250 mm)
600 001 24	24V	3000K	23.0W	49" (1245 mm)	9 ⅞" (250 mm)
600 000 21	24V	4000K	1.0W	3 ¾" (95 mm)	5 ⅞" (150 mm)
600 000 22	24V	4000K	2.0W	4 ¾" (120 mm)	7 ⅞" (200 mm)
600 000 23	24V	4000K	3.9W	9 ⅞" (245 mm)	9 ⅞" (250 mm)
600 000 24	24V	4000K	6.8W	15 ½" (395 mm)	9 ⅞" (250 mm)
600 000 25	24V	4000K	9.6W	21 ½" (545 mm)	9 ⅞" (250 mm)
600 000 26	24V	4000K	12.5W	27 ⅞" (695 mm)	9 ⅞" (250 mm)
600 000 27	24V	4000K	14.4W	31 ¼" (795 mm)	9 ⅞" (250 mm)
600 000 28	24V	4000K	17.3W	37 ½" (945 mm)	9 ⅞" (250 mm)
600 000 29	24V	4000K	20.2W	43 ⅞" (1095 mm)	9 ⅞" (250 mm)
600 000 30	24V	4000K	23.0W	49" (1245 mm)	9 ⅞" (250 mm)
Profile black finish, cover black					
600 001 25	24V	3000K	1.0W	3 ¾" (95 mm)	5 ⅞" (150 mm)
600 001 26	24V	3000K	2.0W	4 ¾" (120 mm)	7 ⅞" (200 mm)
600 001 27	24V	3000K	3.9W	9 ⅞" (245 mm)	9 ⅞" (250 mm)
600 001 28	24V	3000K	6.8W	15 ½" (395 mm)	9 ⅞" (250 mm)
600 001 29	24V	3000K	9.6W	21 ½" (545 mm)	9 ⅞" (250 mm)
600 001 30	24V	3000K	12.5W	27 ⅞" (695 mm)	9 ⅞" (250 mm)
600 001 31	24V	3000K	14.4W	31 ¼" (795 mm)	9 ⅞" (250 mm)
600 001 32	24V	3000K	17.3W	37 ½" (945 mm)	9 ⅞" (250 mm)
600 001 33	24V	3000K	20.2W	43 ⅞" (1095 mm)	9 ⅞" (250 mm)
600 001 34	24V	3000K	23.0W	49" (1245 mm)	9 ⅞" (250 mm)
600 000 31	24V	4000K	1.0W	3 ¾" (95 mm)	5 ⅞" (150 mm)
600 000 32	24V	4000K	2.0W	4 ¾" (120 mm)	7 ⅞" (200 mm)
600 000 33	24V	4000K	3.9W	9 ⅞" (245 mm)	9 ⅞" (250 mm)
600 000 34	24V	4000K	6.8W	15 ½" (395 mm)	9 ⅞" (250 mm)
600 000 35	24V	4000K	9.6W	21 ½" (545 mm)	9 ⅞" (250 mm)
600 000 36	24V	4000K	12.5W	27 ⅞" (695 mm)	9 ⅞" (250 mm)
600 000 37	24V	4000K	14.4W	31 ¼" (795 mm)	9 ⅞" (250 mm)
600 000 38	24V	4000K	17.3W	37 ½" (945 mm)	9 ⅞" (250 mm)
600 000 39	24V	4000K	20.2W	43 ⅞" (1095 mm)	9 ⅞" (250 mm)
600 000 40	24V	4000K	23.0W	49" (1245 mm)	9 ⅞" (250 mm)

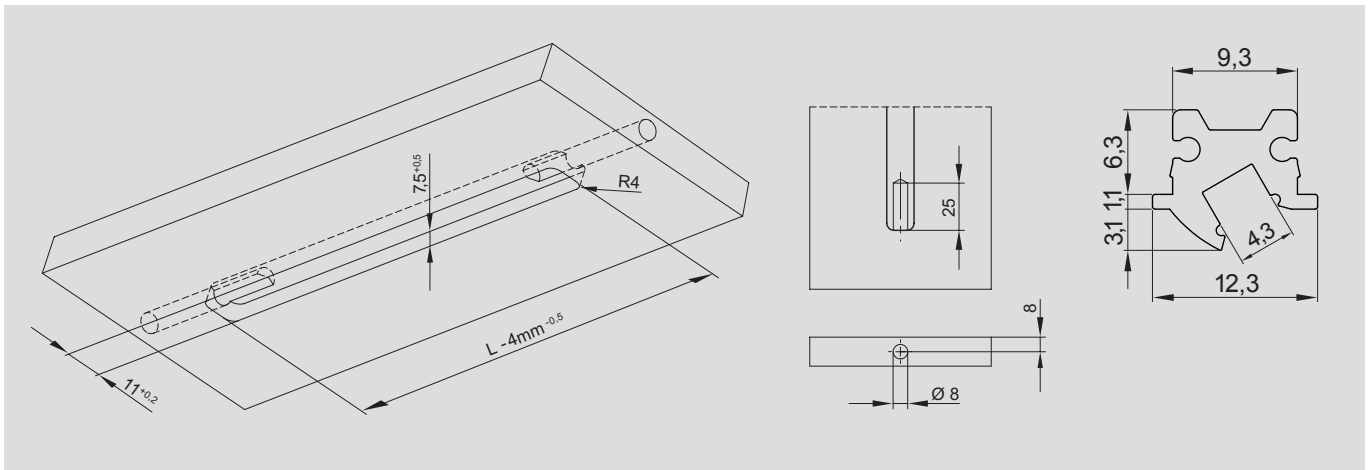
LD 8122

Minimalist recessed luminaire with oblique beam angle for glare-free light. Profiles in black finished or natural aluminum with plastic end caps. Available in different lengths. Supply lead black with ESP plug white. Clamp fixing with clip holder.

Operating voltage	24V
Profile	Aluminum
Diffusor	Black or opal white
Nominal power	See table
LED Type	SMD Stripe 1/8" (4mm)
Light color	3000K
CRI	>90
Dimmable	Yes (with tuning receiver)
Supply lead	See table
Installation	Push-fit installation
Protection type	IP20
Protection class	III



Technical information

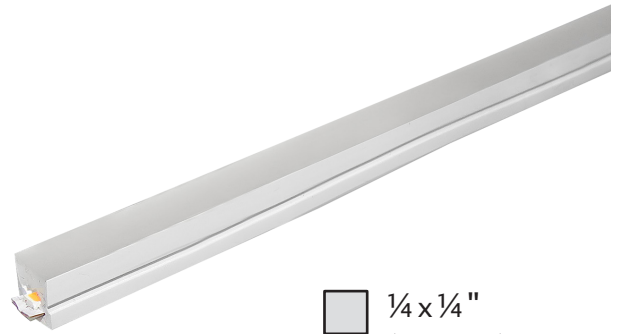
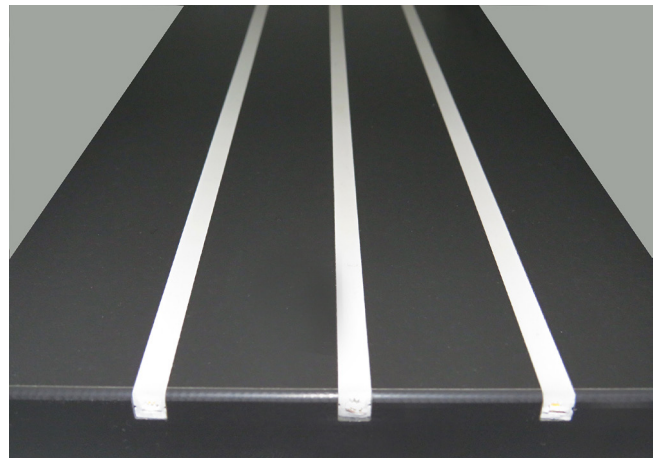
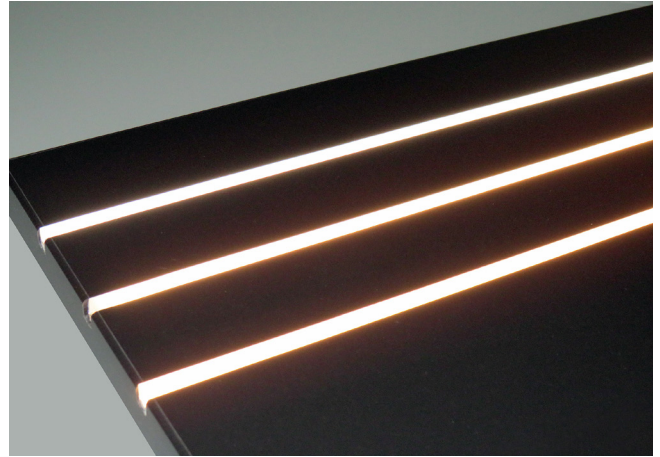


Art. No.	Voltage	Light color	Nominal Power	Profile length	Cable length
Profile aluminum finish, cover opal white					
600 001 35	24V	3000K	1.0W	3 ¾" (95 mm)	5 ⅞" (150 mm)
600 001 36	24V	3000K	2.0W	4 ¾" (120 mm)	7 ⅞" (200 mm)
600 001 37	24V	3000K	3.9W	9 ⅝" (245 mm)	9 ⅞" (250 mm)
600 001 38	24V	3000K	6.8W	15 ½" (395 mm)	9 ⅞" (250 mm)
600 001 39	24V	3000K	9.6W	21 ½" (545 mm)	9 ⅞" (250 mm)
600 001 40	24V	3000K	12.5W	27 ⅜" (695 mm)	9 ⅞" (250 mm)
Profile black finish, cover black					
600 001 41	24V	3000K	1.0W	3 ¾" (95 mm)	5 ⅞" (150 mm)
600 001 42	24V	3000K	2.0W	4 ¾" (120 mm)	7 ⅞" (200 mm)
600 001 43	24V	3000K	3.9W	9 ⅝" (245 mm)	9 ⅞" (250 mm)
600 001 44	24V	3000K	6.8W	15 ½" (395 mm)	9 ⅞" (250 mm)
600 001 45	24V	3000K	9.6W	21 ½" (545 mm)	9 ⅞" (250 mm)
600 001 46	24V	3000K	12.5W	27 ⅜" (695 mm)	9 ⅞" (250 mm)

Mini Neon LED Light

Create effective light line designs and set eye-catching accents with this recessed strip light. Easy installation, thick silicone coating, top bend and free cutting. Completely flush with the surface! A great solution for furniture, shop fittings and interior design.

Operating voltage	24V
Roll	98ft (30000 mm)
Dimension	¼" x ¼" (6 x 6 mm)
Nominal power	2.74W/ft (9W/m)
Light colors	2700K, 3000K, 4000K
CRI	>90
Cutable	Free cutting
Fixing	Push-fitting into cut-out



□ ¼ x ¼"
(6x6 mm)

Order numbers

Item No.	Voltage	Length	Light color	Nominal Power	Cable
600 001 61	24V	98ft (30000 mm/Roll)	2700K	9W/m	-
600 001 60	24V	98ft (30000 mm/Roll)	3000K	9W/m	-
600 001 62	24V	98ft (30000 mm/Roll)	4000K	9W/m	-
Assembled Mini Neon LED Light					
600 000 11	24V	90" (2286 mm)	3000K	20.6W	78½" (2000 mm)
600 000 12	24V	144" (3657 mm)	3000K	32.9W	78½" (2000 mm)

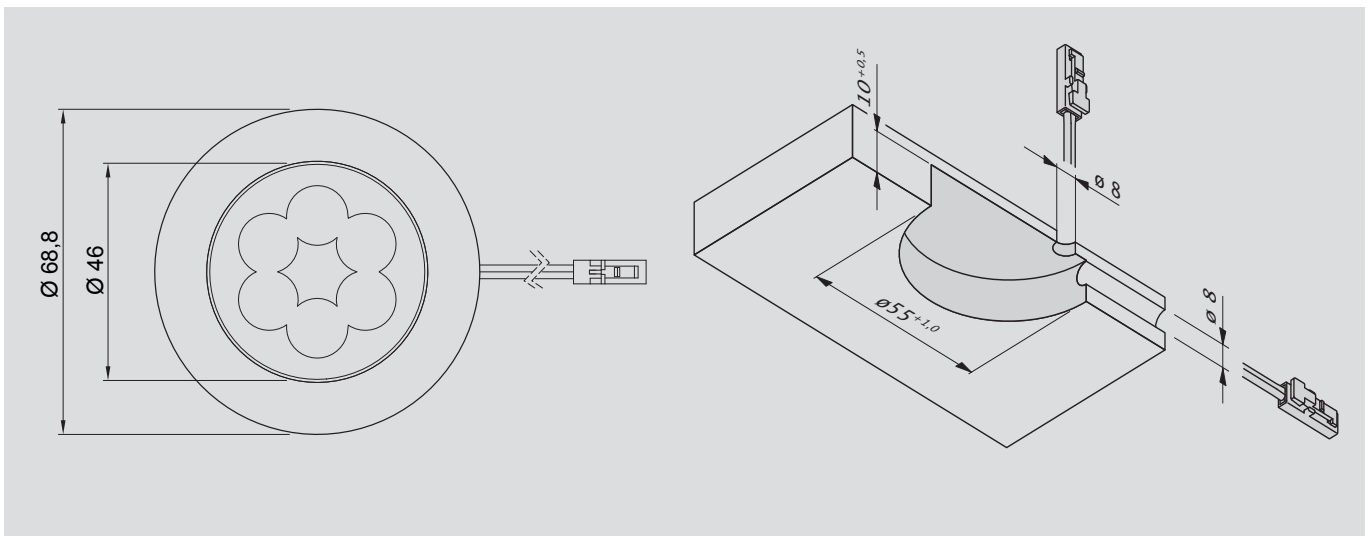
LD 8120-55

Recessed spotlight with lens diffuser, 55mm installation diameter. Available in three different colors: matte black finish, matte white finish and nickel brushed finish. Supply lead 78¾" (2000mm) black with ESP plug white.

Operating voltage	24V
Installation diameter	Ø 2 1/8" (55mm)
Housing	Plastic
Diffusor	Satin transparent
Nominal power	2.5W
LED Type	SMD
Light color	3000K
CRI	>95
Dimmable	Yes (with tuning receiver)
Installation	Push-fit installation
Protection type	IP20/IP44
Protection class	III



Technical information



Item No.	Voltage	Finish	Nominal Power	Light color
600 001 66	24V	Matte white	2.5W	3000K
600 001 67	24V	Matte black	2.5W	3000K
600 001 68	24V	Brushed nickel	2.5W	3000K
Decorative rings				
600 001 09		Matte white		
600 001 10		Matte black		
600 001 11		Brushed nickel		

LD 8211-58.3 | LD 8211-F58.3 X2

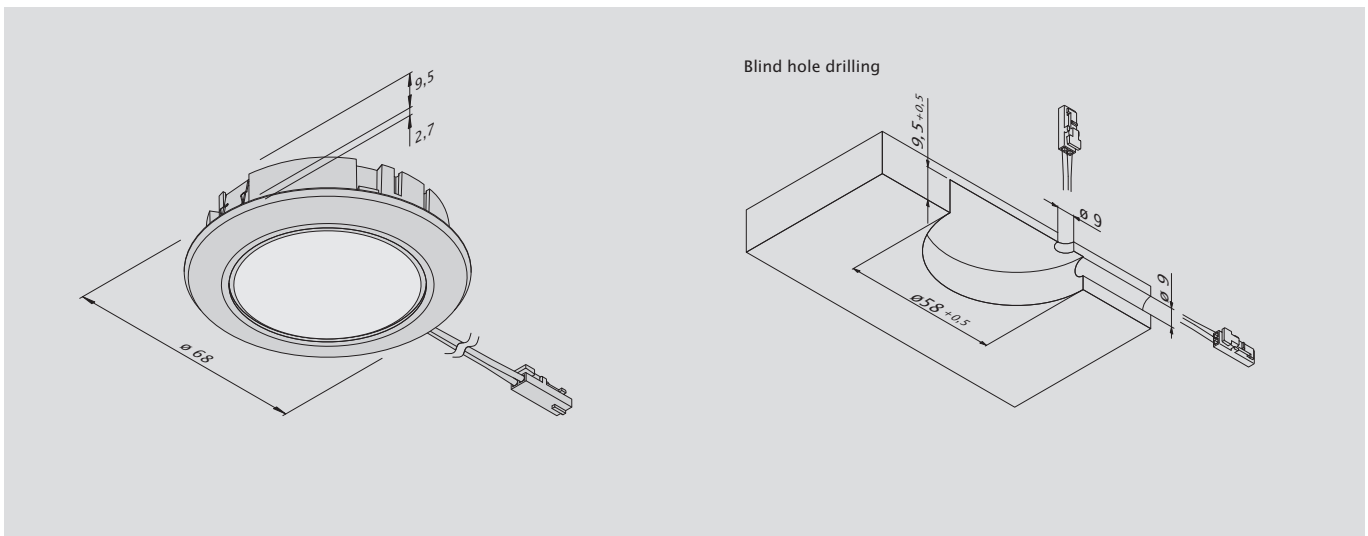
Recessed furniture spotlight with installation diameter of 1/4" and a mounting depth of 3/8". Choose from four colors: black, white, aluminum and satin nickel.

Supply lead 78 3/4" (2000mm) black with ESP plug white.

Operating voltage	24V
Installation diameter	Ø 2 1/4" (58mm)
Housing	Plastic
Diffusor	Opal white
Nominal power	3W
LED Type	SMD
Single light colors LD 8211-58.3	2700K, 3000K, 4000K
MIX light color LD 8211-F58.3 X2	2700-6400K
CRI	>80
Dimmable	Yes (with tuning receiver)
Installation	Push-fit installation
Protection type	IP20
Protection class	III



Technical information



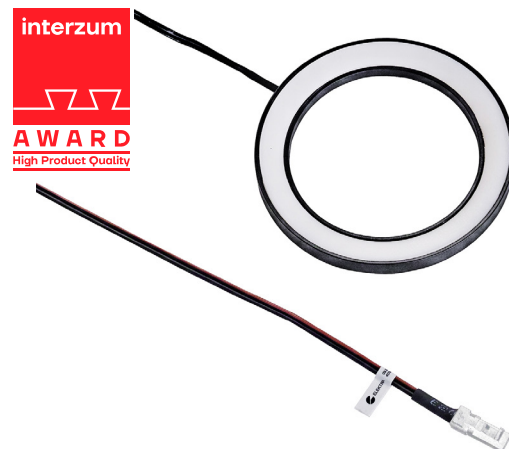
Item No.	Voltage	Finish	Light color	Nominal Power
LD 8211-58.3				
600 000 84	24V	White	2700K	3W
600 000 88	24V	White	3000K	3W
600 000 92	24V	White	4000K	3W
600 000 85	24V	Black	2700K	3W
600 000 89	24V	Black	3000K	3W
600 000 93	24V	Black	4000K	3W
600 000 86	24V	Aluminum	2700K	3W
600 000 90	24V	Aluminum	3000K	3W
600 000 94	24V	Aluminum	4000K	3W
600 000 87	24V	Satin nickel	2700K	3W
600 000 91	24V	Satin nickel	3000K	3W
600 000 95	24V	Satin nickel	4000K	3W
LD 8211-F58.3 X2 with MIX tunable color temperature				
600 000 80	24V	White	2700-6400K	3W
600 000 81	24V	Black	2700-6400K	3W
600 000 82	24V	Aluminum	2700-6400K	3W
600 000 83	24V	Satin nickel	2700-6400K	3W

LD 8228

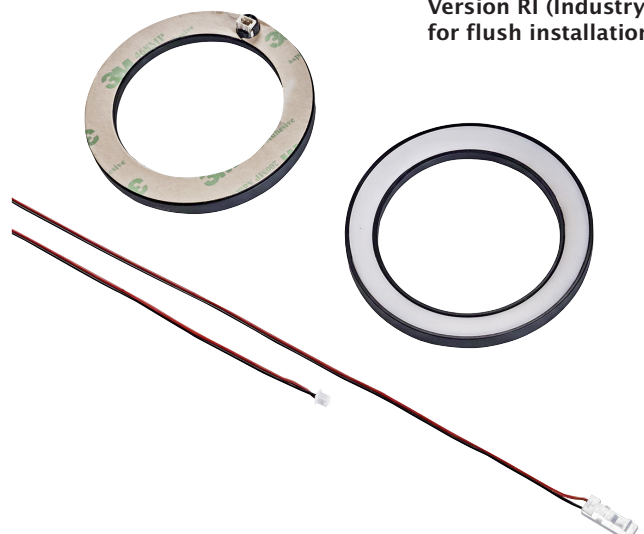
Award-winning mounted luminaire in minimalist ring shape. Impressive and glare-free luminosity in a smart ring shape. Honored with the interzum award for high product quality and sustainability. Supply lead 78 ¾" (2000 mm) black with ESP plug white. Ideal for retro-fitting.

Also available as an **Industrial version RI** for recessed installation in furniture.

Operating voltage	24V
Diameter	Ø 3 ½" (78mm)
Housing	Black plastic
Diffusor	Opal white
Nominal power	See table
LED Type	COB
Light colors	3000K, 2700-6400K
CRI	>90
Dimmable	Yes (with tuning receiver)
Fixing	3M Adhesive tape
Protection type	IP20
Protection class	III

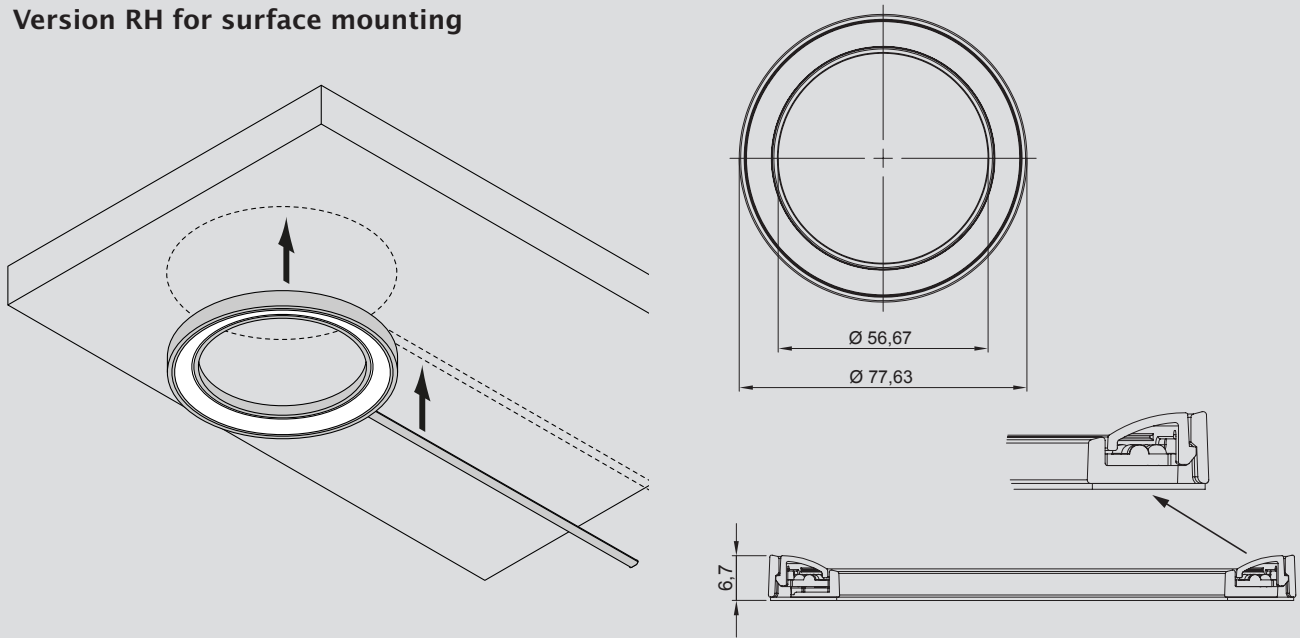


Version RI (Industry)
for flush installation



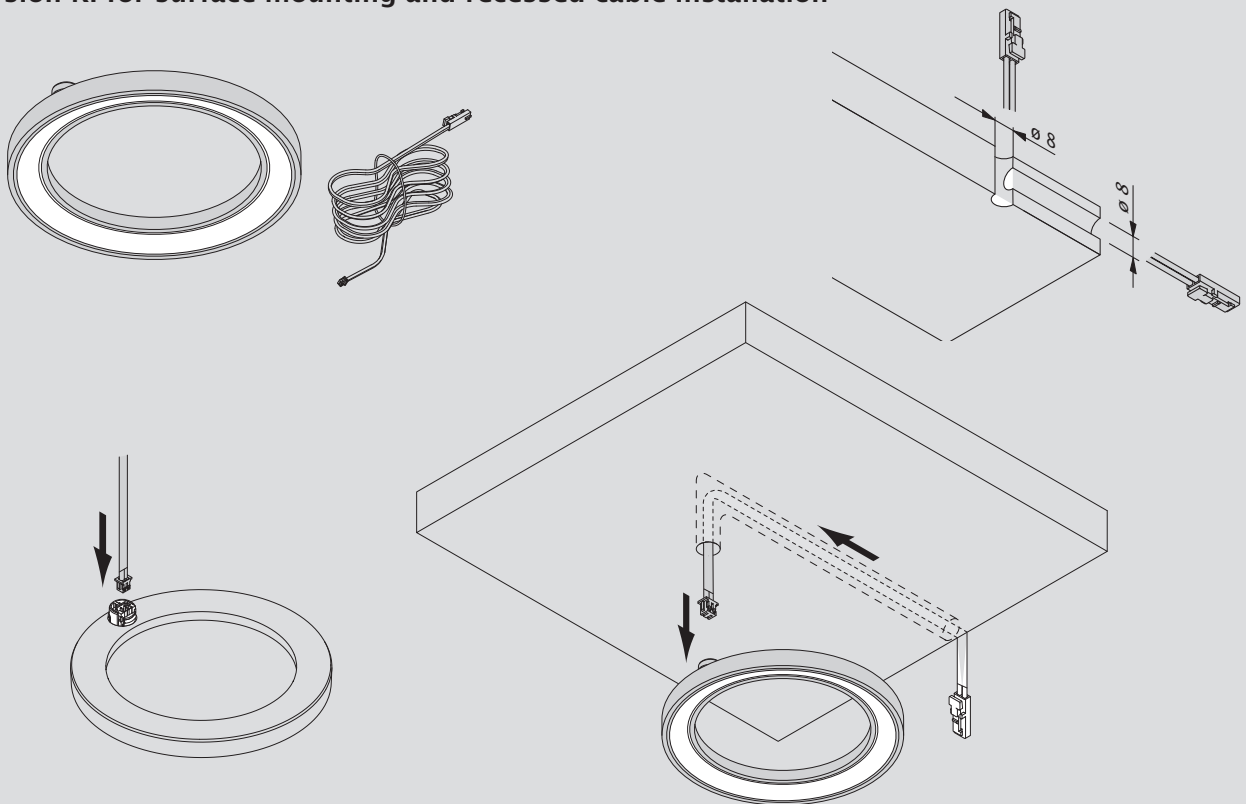
Technical information

Version RH for surface mounting



Item No.	Voltage	Light color	Nominal Power	Cable
600 000 15	24V	3000K	4.3 W	Flat ribbon black
600 000 13	24V	2700-6400K	3.3 W	Flat ribbon black

Version RI for surface mounting and recessed cable installation



Item No.	Voltage	Light color	Nominal Power	Cable
600 000 14	24V	2700-6400K	3.3 W	ESP connection

Vario D10

Power Conductor System for shelf illumination and merchandise presentation.

The VARIO system is based on a 24V recessed conductor rail with feeder and current collector for integrated luminaires.

- Innovative power supply solution for the electrification of shelf systems without visible leads
- Shelves can be placed easily at any height
- Lights are supplied by only one current conductor (6A max.)

Power Conductor Profile 24V 6A max.

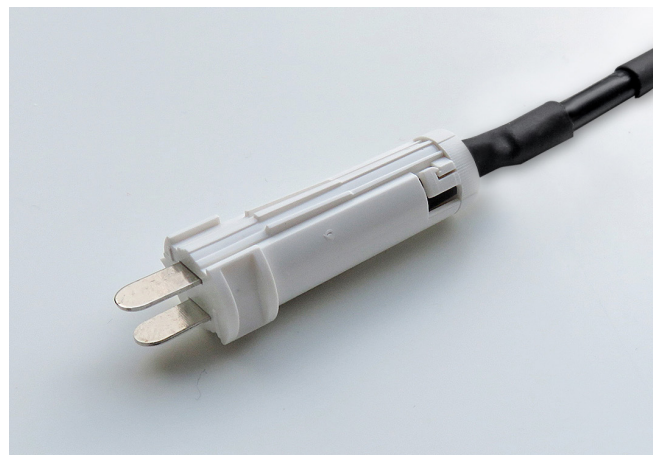
- For cut-outs in shelves and furniture
- Plastic Profile 94½" (3000 mm)
- Black or white plastic profile with CU conductor
- Push-fit installation

Current Collector Mounting Adapter as current collector 24V 3A max.

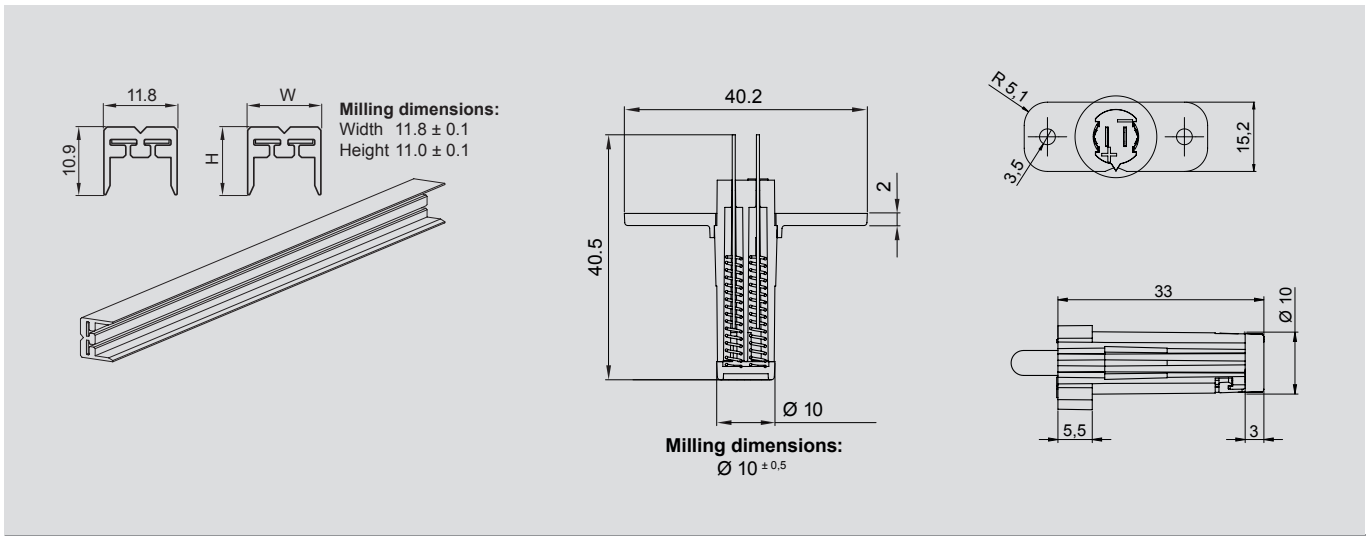
- Adapter with spring contacts for installation in shelves
- Cable 2¾" (60 mm) with ESP female socket white (24V), connection to light
- Installation dimensions: diameter 3/8" min. (10 mm)
- Shelf thickness: 3/4" min. (19 mm)

Feeder Mounting adapter as feeder 24V 3.5A max.

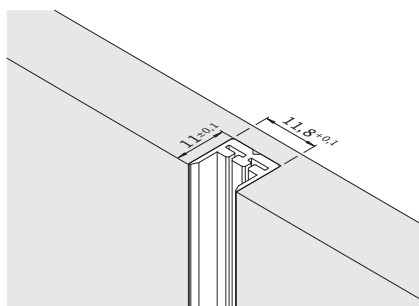
- Adapter with spring contacts for electrification of the track
- Fixing with screws or glue
- Cable 39¾" (1000 mm) with ESP male connector black, connection to driver



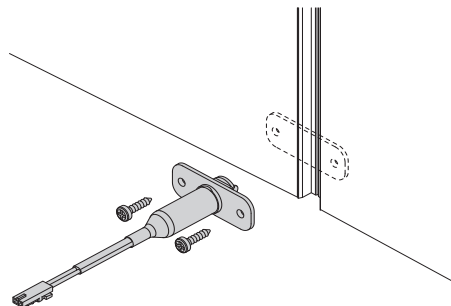
Technical information



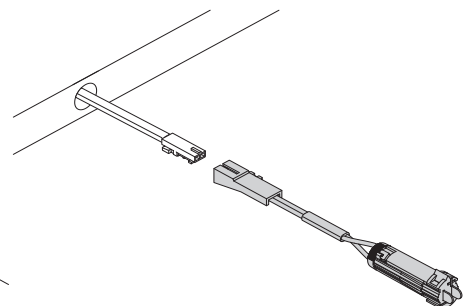
Item No.	Description	Voltage	Length	Nominal Power
600 000 18	Electric track VARIO black (PU 30 pcs.)	24V	94 ½" (2400 mm)	144W max.
600 000 19	Electric track VARIO white (PU 30 pcs.)	24V	94 ½" (2400 mm)	144W max.
600 001 13	Current collector	24V	Cable 2 ¾" (60 mm)	144W
600 000 06	Current collector with Clip connector 2" (50mm) white	24V		
600 000 09	Holder for current collector			
600 000 07	Feeder, male connector white	24V	Cable 39 ¾" (1000 mm)	



Recessed power conductor



Feeder with holder



Current collector

Vario D10

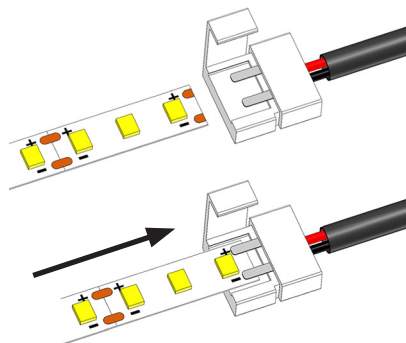
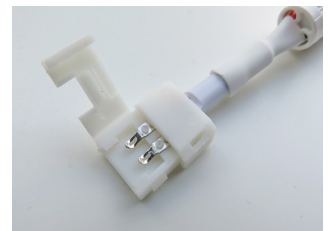
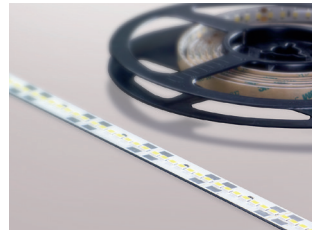
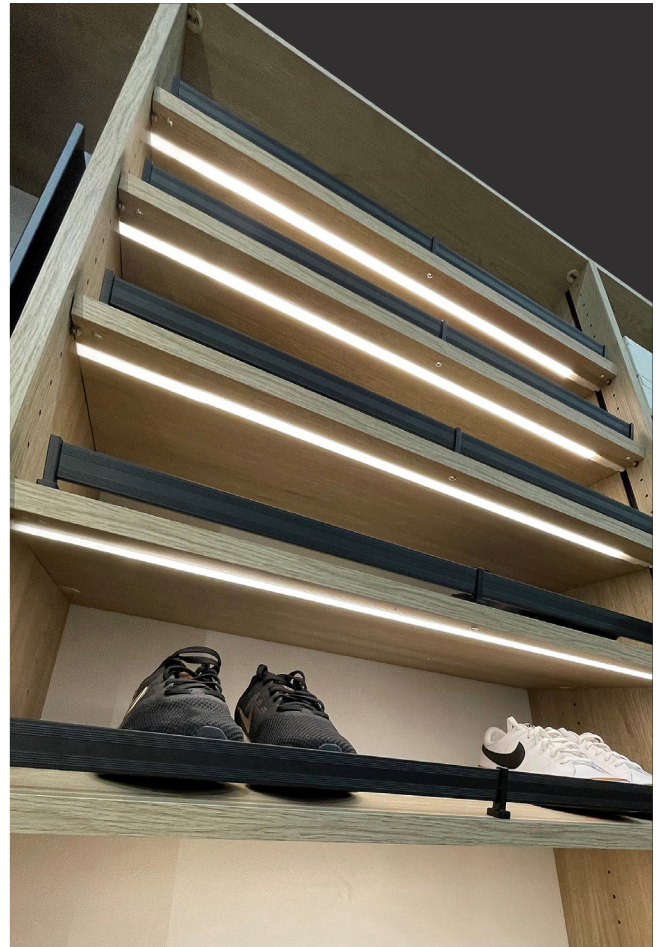
The Vario D10 system is a perfect way of installing lighting into shelves and cabinets. An LED strip is glued into a cut-out, crimped to a supply cable and connected to the electrical track. Add a cover and you have linear lighting.

The components are:

- System Vario D10 (see page before)
- SMD LED Type 140/3014
- Connection cable
- Cover

Specification of LED flexstrip

Operating voltage	24V
Roll	196 7/8" (5000mm)
Width	3/8" (8mm)
Nominal power	3W/ft (9.8W/m)
Light color	3000K
Light color tolerance	<6 SDCM
LEDs	42/ft (140/m)
Cutttable	Each 2" (50mm)
Fixing	Self adhesive
Protection type	IP20



Technical information

Item No.	Description	Voltage	Light color	Nominal Power
600 000 10	LED Strip	24V	3000K	3W/ft
600 001 01	Opal white diffusor/cover, length 90" (2286mm), PU 32 pcs.			
600 000 06	Current collector 24V with Clip connector 2" (50mm) white			

Extension Lead

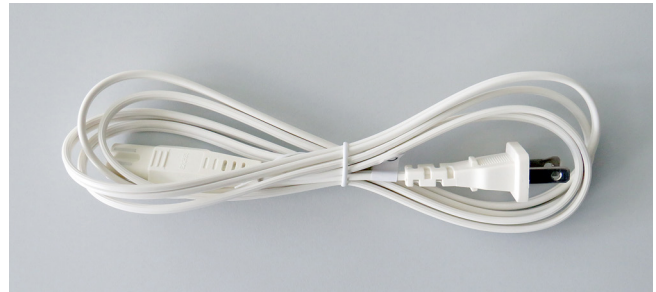
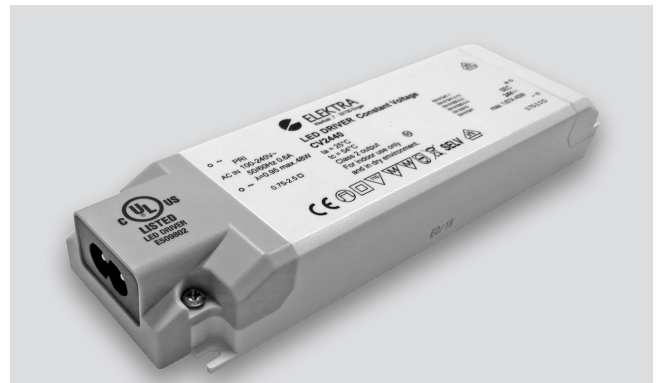
Item No.	Description	Cable
600 000 97	Extension lead 24V ESP male plug white/ESP female plug white	78 ¾" oval

LED Driver

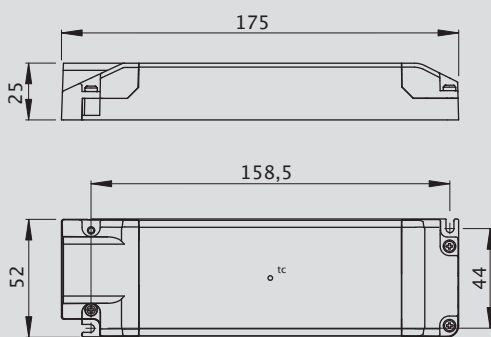
Constant Voltage driver for LED luminaires to function optimally. Precisely matched to the lights and LED strips. Primary with integrated plug C8, with fixed 6-way distributor ESP parallel for 24VDC.

Please order supply lead C7/US plug separately.

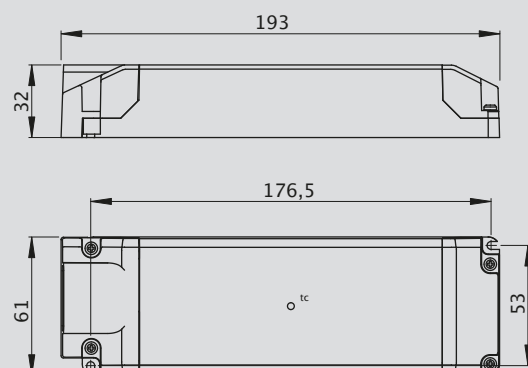
Nominal power	24V
Primary	100-240V 50/60Hz C8 integrated socket
Secondary	6¼" (170mm) fixed 6-way parallel distributor ESP
Protection against	Short circuit, surge voltage, overload, no-load safe
Dimming function	Yes
Protection	IP20
Protection class	II



CV 2440



CV 2450, CV 2475, CV 24100



Art. No.	Type	Voltage	Nominal Power	Distributor	ta	tc
600 001 05	CV 2440	24V	40W	6-way color white	25°C	54°C
600 001 06	CV 2450	24V	50W	6-way color white	25°C	65°C
600 001 07	CV 2475	24V	75W	6-way color white	25°C	75°C
600 001 08	CV 24100	24V	100W	6-way color white	25°C	54°C
600 001 64	Supply lead 78¾" (2000mm) white, with female plug C7, male plug USA					

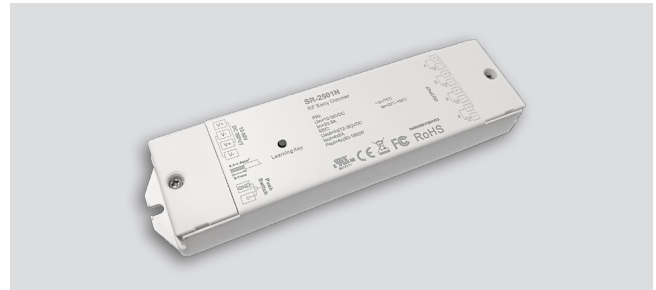
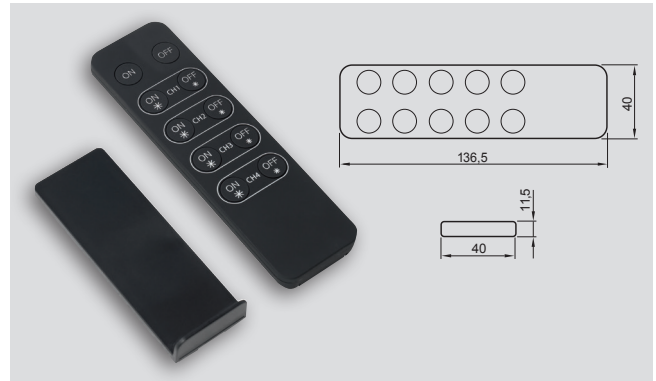
Remote Controls, Receivers

SR-2801E Remote Control for monochrome lights 3V

Channels	4
Functions	On/Off/Dim
Memory function	Yes
Range	78 ¾" (2000mm) approx.
Magnetic bracket	Yes
Battery	CR 2025

Receiver for monochrome LED technology

Outlets	4, each 5A max., 120W (24V)
Cable assembly in	78 ¼" (2000mm) supply lead plug ESP white
Cable assembly out	6 ¾" (170mm) 6-way parallel distributor ESP white



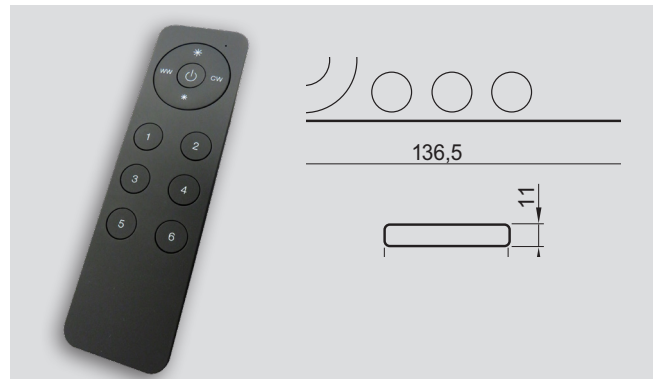
SR-2833CCT Remote Control for multi-color lights 3V

Use only in combination with Receiver MIX-X2.

Channels	6
Functions	On/Off/Dim/tunable white
Memory function	Yes
Range	78 ¾" (2000mm) approx.
Magnetic bracket	Yes
Battery	CR 2025

Receiver MIX-X2 for MIX LED technology (2700-6400K) 24V DC

Outlet	5A max., 120W (24V)
Cable assembly	78 ¼" (2000mm) supply lead plug ESP white
Cable assembly out	6 ¾" (170mm) 6-way parallel distributor ESP white



Item No.	Description
600 000 08	4-channel Remote control SR-2801E, Soft Touch finish
600 001 02	Receiver SR-2501N, Functions: On/Off, Dimming
600 001 59	6-channel Remote control SR-2833CCT, Soft Touch finish
600 000 59	Receiver MIX-2X, Functions: On/Off, Dimming, MIX Color Temperature



ELEKTRA

ELEKTRA USA, Inc.
2002 Eastwood Road
Suite 304
Wilmington, NC 28203 USA
Phone 910-679-4008
www.elektra.de/en/

Company of EHLEBRACHT Holding AG