

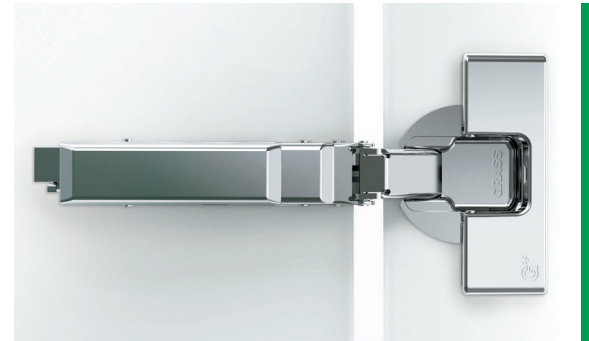


SEBIOR
IT ALL STARTS WITH A DREAM

G*GRASS®

TIOMOS HINGE SYSTEM

Integrated Soft-close, elegant design, maximum stability.
The hinge for today, tomorrow, and beyond.







Tiomos, an elegant hinge system for today that meets the technical and functional requirements of tomorrow.



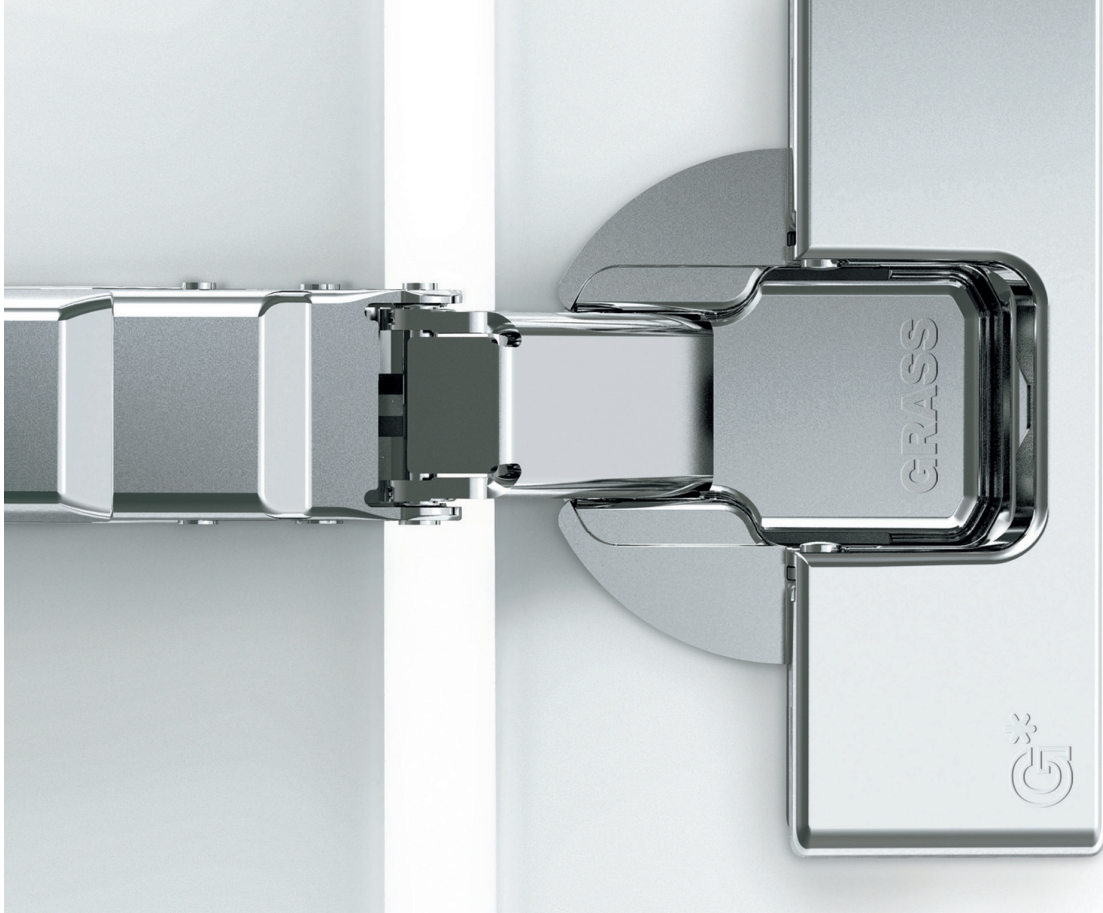
Our developers set out to create a completely new hinge system.

The result is Tiomos. Not only does Tiomos outperform any other hinge in the industry, it offers a timeless design as well as its own individual character.

The product range covers virtually every application, from standard doors to wide angle doors, from frameless applications to face frame applications. The Tiomos offers two closing actions: the standard Self-close and the popular Soft-close. The Soft-close offers a three tier adjustable mechanism, which is fully integrated and concealed in the hinge arm. The Soft-close

mechanism remains active through the duration of the close, resulting in an extremely smooth action. With the superb engineering and design, size and weight of the door will not be a factor. The doors pull open with ease and minimal gaps can be achieved due to the design of the hinge.

Tiomos - the ideal solution to the ever increasing requirements of today's manufacturers.



Tiomos - One hinge system to cover all applications.

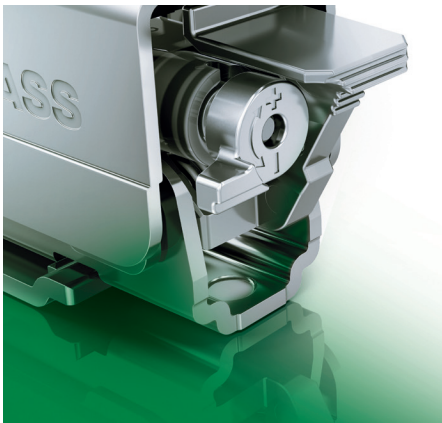
Meet Tiomos, an evolutionary hinge system that offers the best possible movement for cabinet doors.

Tiomos provides perfect movement for essentially every application, from standard doors to wide angle doors, from diagonal corner hinges to pie-cut corner hinges, and from frameless applications to face frame applications. Tiomos is available in a 45mm or 42mm boring pattern for dowelled hinges and 45mm for screw-on hinges. The Tiomos Impresso, the ever popular tool-free version, is available in a combined 42/45mm pattern.



TIOMOS HINGE SYSTEM

Innovation from every angle.



Soft-close technology is concealed within the hinge arm.

Three levels of closing pressure are available with the Tiomos adjustable Soft-close mechanism, which is fully integrated and concealed in the hinge arm. The hinges arrive with the adjustment lever in the horizontal position. A turn to the left or the right will adjust the Soft-close mechanism to your individual requirements.



For stronger damping action, turn the adjustment lever by 90° to the right.



Perfect alignment with a twist of the hand.

For fine adjustment, the Tiomos hinge system offers 3-dimensional adjustment. Depth adjustment (+3/-2mm) is based on the worm screw principle and is continuous and self-locking. Depending on the type of base plate chosen, height adjustment (± 2 mm) can be achieved via a worm screw or through elongated holes (± 2.5 mm). Side adjustment (± 2 mm) is on the hinge arm.



Tiomos hinges leave the factory with the adjustment lever in the horizontal position.



Unmatched kinematics.

The complex inner workings of this high-tech hinge are hidden from view, but they are most impressive when working as one. With the kinematics in place the doors are extremely easy to open. This mechanism makes alignment with the smallest of gaps and reveals possible, opening up new possibilities to cabinet designers.



For a gentler closing action, the adjustment lever of the Soft-close damper is turned to the left by 90°.

Features and Benefits

Tiomos

Features



- Adjustable 3-tier Soft-close mechanism integrated and concealed in the hinge arm
- Continuous, smooth closing action from the degree that the Soft-close is activated until the door is completely closed
- Uniform closing action regardless of the door size, weight, or materials
- Soft-close mechanism can be adjusted easily and without tools, even after doors are installed
- Wide selection of hinges and specialty hinges cover all application needs
- Increased applications:
 - Full overlay from 24 - 13.5mm
 - Overlay from 19 - 11.5mm
 - Half Overlay from 12.5 - 5mm
 - Inset

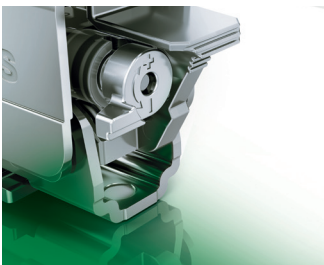
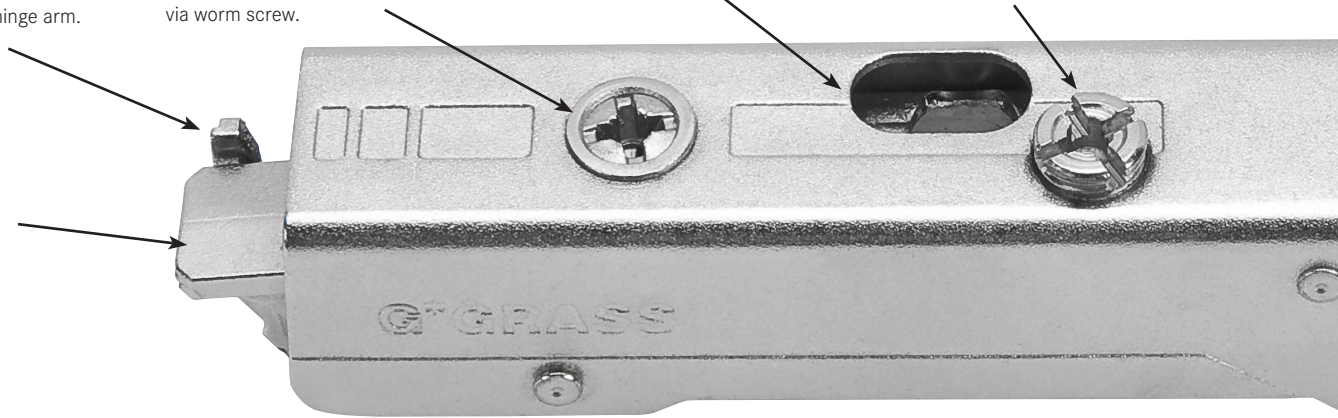
Integrated Damper Adjustment
with 3 Soft-close settings. Adjustment system is concealed in the hinge arm.

Depth Adjustment (+3/-2mm)
is smooth and self-locking via worm screw.

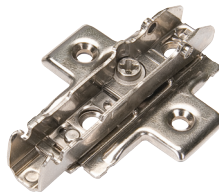
Easy Height Adjustment (± 2 mm)
via hinge arm on baseplate

Side Adjustment (± 2 mm)
with overturn stop

Ergonomic Clip
release with audible locking



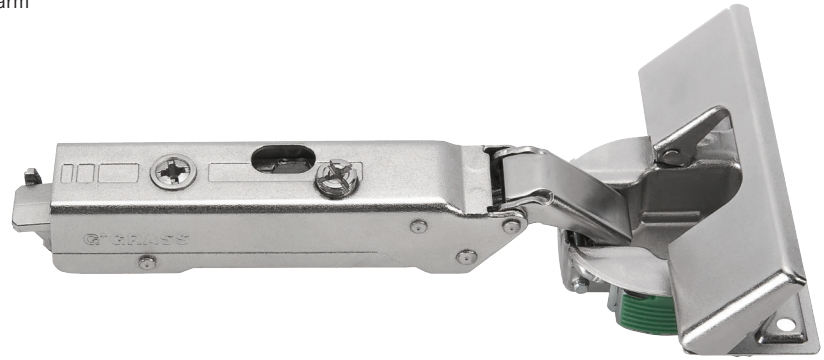
3 Soft-close Settings
adjust to meet your individual Soft-close requirements.



Height Adjustment
is based on the worm screw principle that is continuous and self-locking.

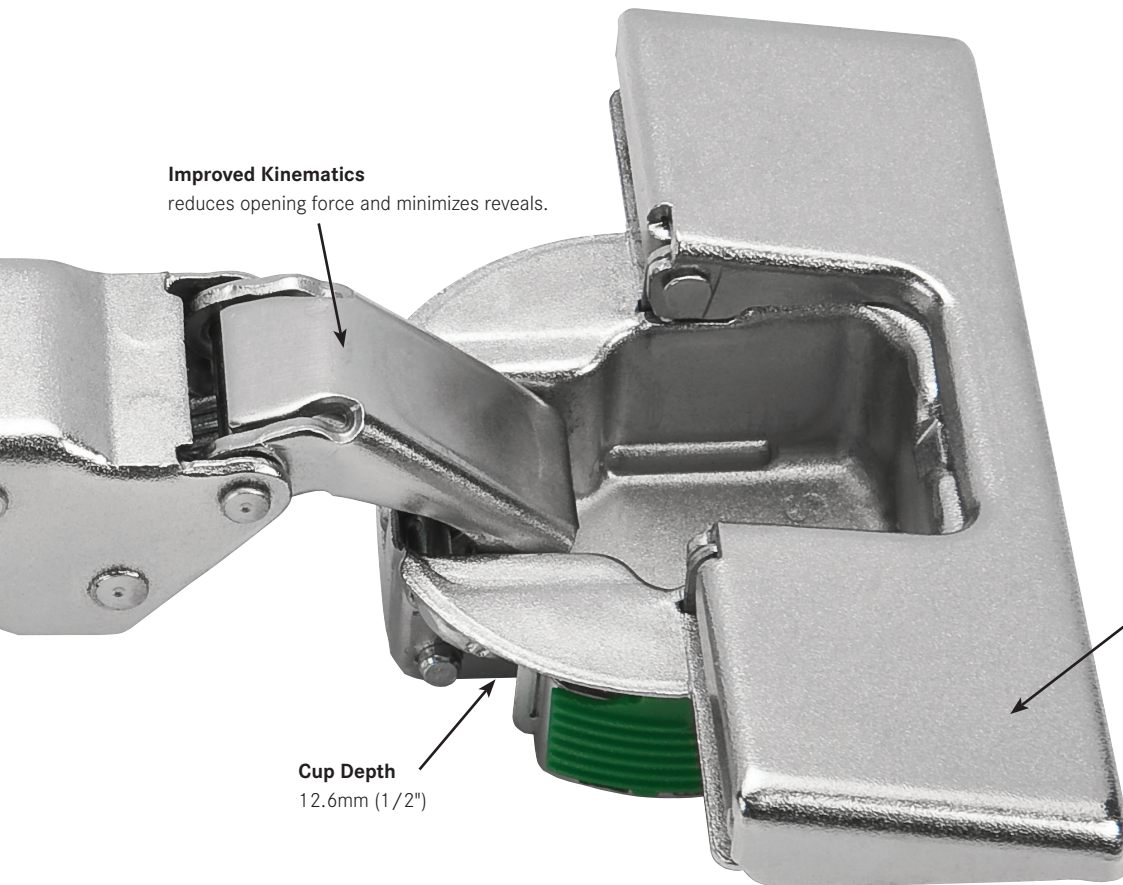
Features

- One hinge type for all door thicknesses up to 24mm
- 3-dimensional adjustment with suitable base plate
 - Depth adjustment +3/-2mm via self-locking worm screw
 - Height adjustment +/-2mm on base plate via hinge arm
 - Side adjustment with overturn stop +/-2 via hinge arm
- Soft-close or Self-close hinges are available
- For face frame or frameless applications
- Impresso for tool-free application
- 42mm and 45mm boring patterns



Impresso Hinges
for tool-free application
Insertion instructions on page 14.

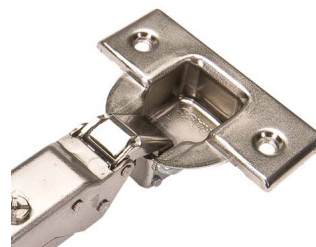
Improved Kinematics
reduces opening force and minimizes reveals.



Tiomos Styles
42mm pattern, Dowelled
45mm pattern, Screw-on and Dowelled
42/45mm pattern, Impresso

Cup Depth
12.6mm (1/2")

Dowelled and Screw-on
cup attachments. Dowelled available
in both 42mm and 45mm patterns.
Screw-on available in 45mm pattern.



Testing Information

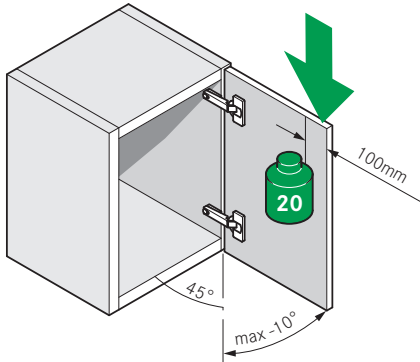
Tiomos

Functional Test

Static Load - vertical

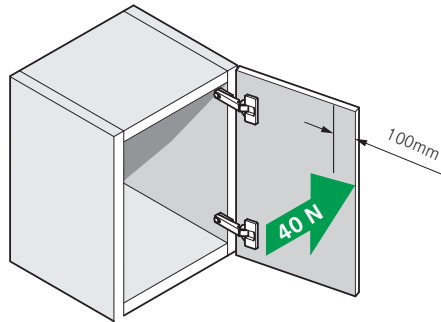
Additional load: 44 lb (20 kg)

Opening angle: max -10°



Static Load - horizontal

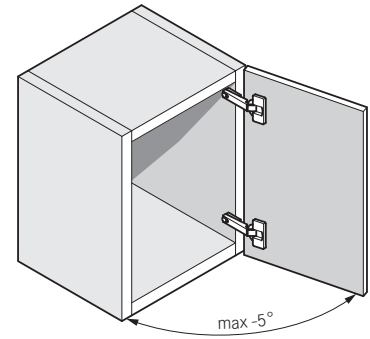
Force: 40 N



Endurance Test

Opening angle: max -5°

Open and close movements: 100,000

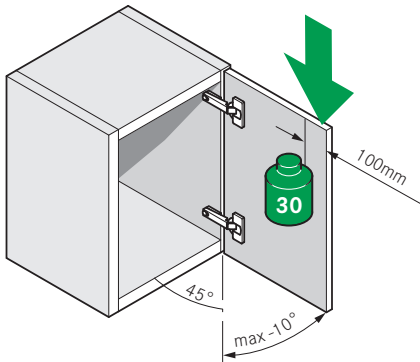


Overload Testing

Vertical

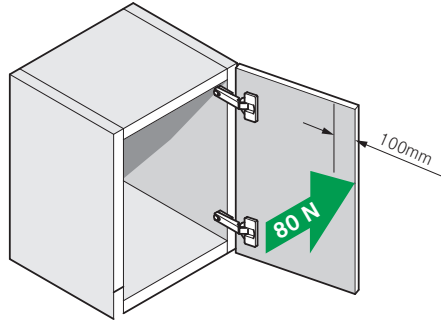
Additional load: 66 lb (30 kg)

Opening angle: max -10°



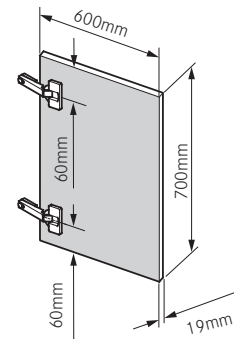
Horizontal

Force: 80 N



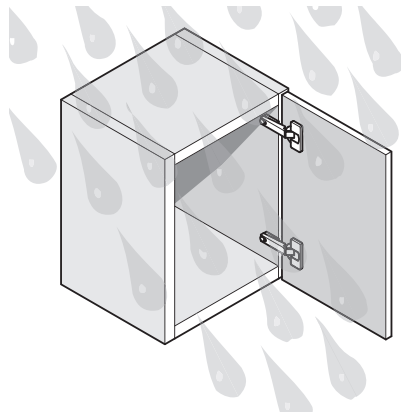
Test Door

Weight approximately 11.5 lb (5.2 kg)



Salt Spray and Humidity Test

Based on DIN ISO 9227 and DIN 6270-2





SEBIOR

IT ALL STARTS WITH A DREAM

11001 258th Ct., Trevor, WI 53179
(262) 618-7010
www.Sebior.com